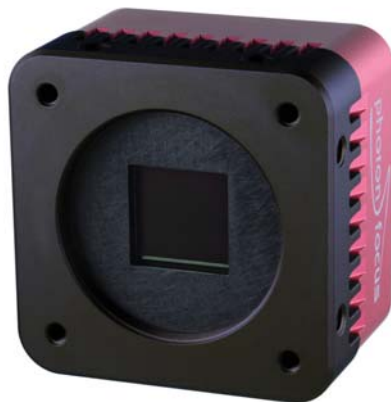


## MV1-D2080-160-CL

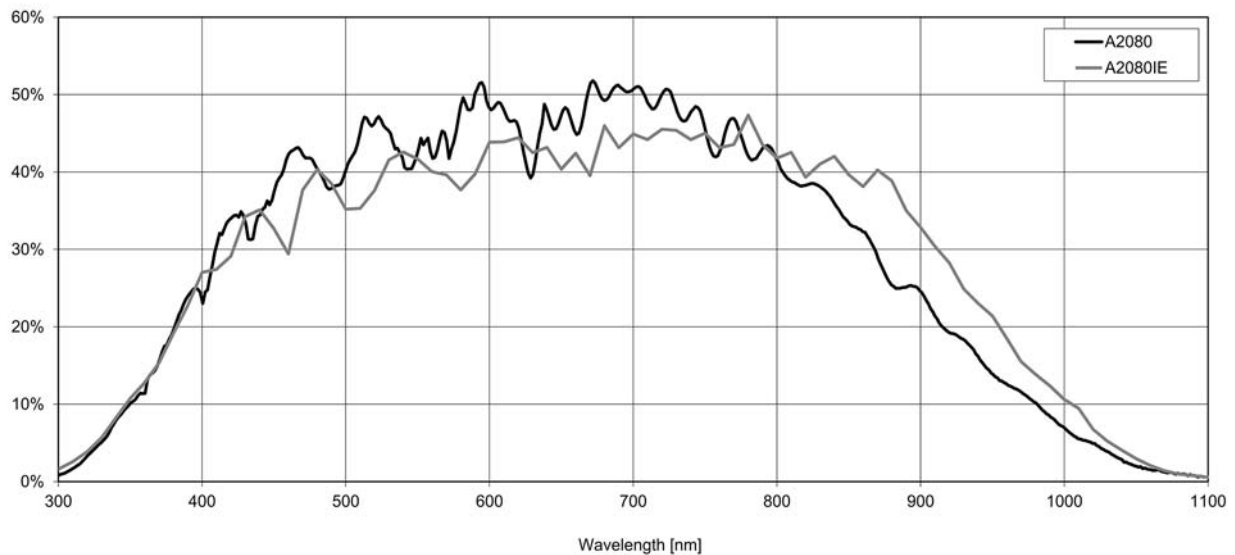
The camera series MV1-D2080(IE)-CL is based on the Photonfocus A2080 and A2080IE CMOS image sensors with LinLog® technology

### Features

- Photonfocus A2080 CMOS image sensor
- 2080 x 2080 pixel resolution
- Good NIR spectral response
- Exceptional SNR up to 300:1
- Dynamic range up to 120dB via LinLog®
- Up to 34fps @ full resolution
- Global shutter
- Available in monochrome and enhanced NIR
- Extended sensor and camera features
- Up to 12bit greyscale resolution
- Boardlevel and OEM solution available
- CameraLink® interface



## Quantum Efficiency Image Sensor



## Image Sensor Specifications

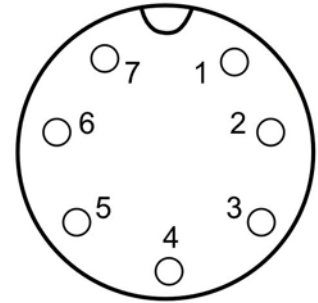
Manufacturer / Type	Photonfocus, A2080
Technology	CMOS
Optical format	4/3"
Optical diagonal	25.5mm
Resolution	2080 x 2080
Pixel size	8µm x 8µm
Active optical area	16.64mm x 16.64mm
Dark current	4000e-/s
Read out noise	110e-
Full well capacity / SNR	90ke- / 300:1
Spectral range	Monochrome: < 350 to 980nm (to 10% of peak responsivity) NIR Enhanced: < 320 to 1000nm (to 10% of peak responsivity)
Responsivity	Monochrome: 295 x 10 <sup>3</sup> DN / (J/m <sup>2</sup> ) @ 670nm / 8bit NIR Enhanced: 305 x 10 <sup>3</sup> DN / (J/m <sup>2</sup> ) @ 850nm / 8bit
Quantum Efficiency	Monochrome: > 50% NIR Enhanced: > 50%
Optical fill factor	> 60%
Dynamic range	60dB in linear mode; 120dB with LinLog®
Characteristic curve	Linear, LinLog®
Shutter mode	Global Shutter

## Camera Specifications

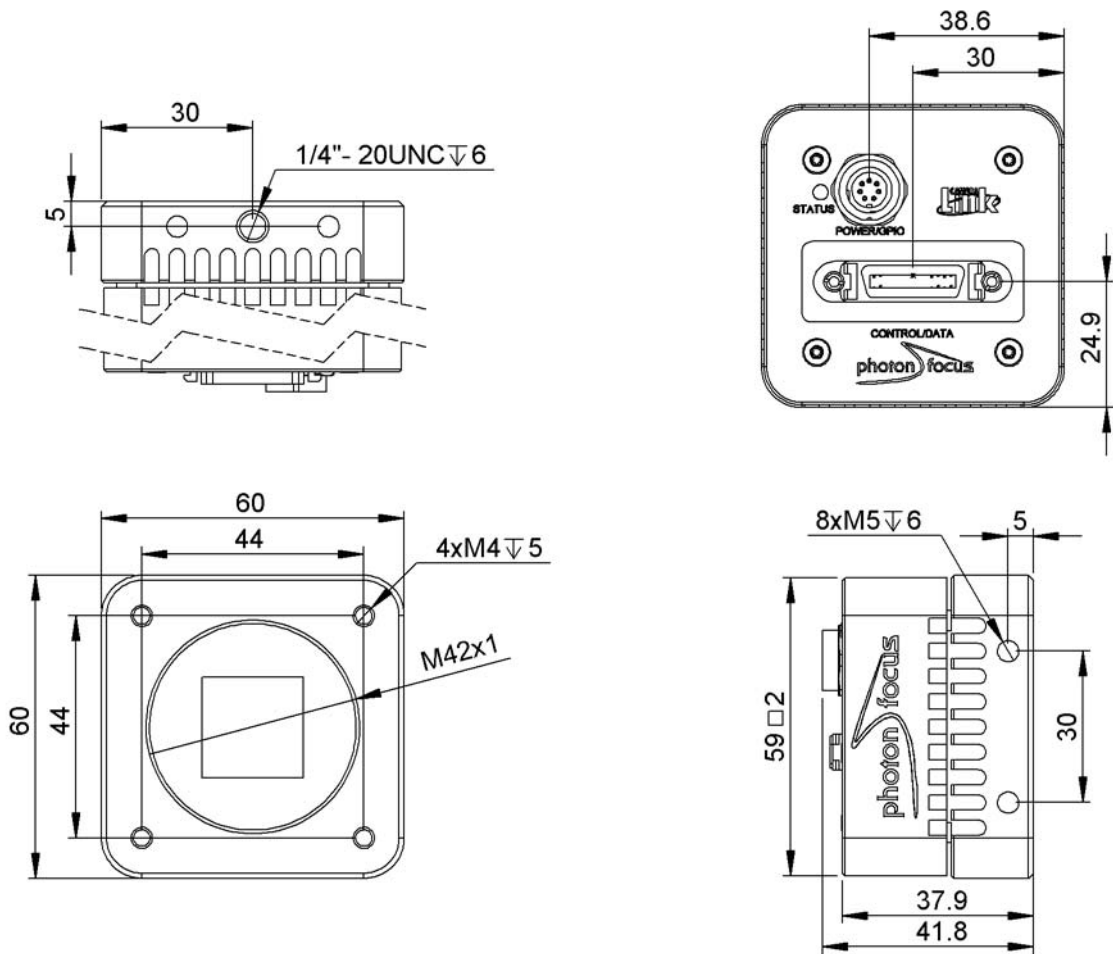
Interface	
Frame rate	34fps
Pixel clock	80MHz
Camera taps	2
Greyscale resolution	8Bit / 10Bit / 12Bit
Fixed pattern noise (FPN)	< 1DN RMS @ 8Bit
Exposure time range	10 $\mu$ s - 419ms
Analog gain	n/a
Digital gain	0.1 to 15.99 (FineGain)
Trigger Modes	Free running (non triggered), external Trigger, SWTrigger
Features	Configurable region of interest (ROI), Up to 512 regions of interest (MROI), Decimation in y-direction, Image correction, 2 look-up tables (12-to-8Bit) on user-defined image region (Region-LUT), Constant frame rate independent of exposure time, Crosshairs overlay on the image, 3x3 convolver for image preProcessing, Temperature monitoring of sensor and camera, Camera informations readable over SDK, Ultra low trigger delay and low trigger jitter, Extended trigger input and strobe output functionality, Status line in picture
Operation temperature / moisture	0°C ... + 50°C / 20% ... 80%
Storage temperature / moisture	-25°C ... 60°C / 20% ... 95%
Power supply	+12VDC (-10%) ... +12VDC (+10%)
Power consumption	< 3.3W
Lens mount	M42x1, F-Mount, C-Mount 1.3"
I/O Inputs	1x Opto-isolated
I/O Outputs	1x Opto-isolated
Dimensions	60 x 60 x 38mm <sup>3</sup>
Mass	222g
Connector I/O (Power)	Binder 7-pole (mating plug 99-0421-00-07)
Connector Interface	CameraLink Base (MDR)
Conformity	CE / RoHS / WEEE
IP Code	IP40

### Connectors

Pin	I/O Type	Name	Description
1	PWR	CAMERA_PWR	Camera Power 12VDC
2	PWR	CAMERA_GND	Camera GND 0V
3	O	RESERVED	Do not connect
4	PWR	STROBE-VDD	+5 ... +15 VDC
5	O	STROBE	Strobe control (opto-isolated)
6	I	TRIGGER	External trigger (opto-isolated), +5 .. +15VDC
7	PWR	GROUND	Signal ground (for opto-isolated strobe signal)



### Dimensions



## Explanation

DN DigitalNumber (equals to LSB)

e<sup>-</sup> Electrons

## Order Information

MV1-D2080-160-CL-12-42	BW model (M42)
MV1-D2080-160-CL-12-CM	BW model (C-Mount)
MV1-D2080-160-CL-12-FM	BW model (F-Mount)
MV1-D2080IE-160-CL-12-42	NIR-Enhanced model (M42)
MV1-D2080IE-160-CL-12-CM	NIR-Enhanced model (C-Mount)
MV1-D2080IE-160-CL-12-FM	NIR-Enhanced model (F-Mount)

### Photonfocus AG

Bahnhofplatz 10  
CH-8853 Lachen SZ  
Switzerland

Phone: +41 55 451 00 00

[www.photonfocus.com](http://www.photonfocus.com)

[info@photonfocus.com](mailto:info@photonfocus.com)