

# EoSens® 3CXP

High-Speed CMOS Camera



1288  
EMVA Standard Compliant

CoaXPRESS

GEN<i>i>CAM

## EoSens® 3CXP Key Features:

- 566 fps at 3 megapixel resolution
- Up to 225,000 fps at reduced resolution
- High-performance CoaXPRESS® interface
- 80 x 80 x 48 mm small

## Engineered for Speed

The EoSens® 3CXP brings an incredible combination of speed, resolution and responsiveness. Operating at 566 frames per second at 1,696 x 1,710 pixel resolution, the EoSens® 3CXP takes advantage of CoaXPRESS® technology, transmitting data in real time.

## Compact Design

Another benefit is the camera's ultra-slim design. Its size was reduced to 80 x 80 x 48 mm, allowing it to integrate easily into existing production lines, machinery or moving equipment.

## APPLICATION EXAMPLES

- Laser triangulation
- Ball grid inspection
- PIV measurements
- Roboter positioning
- Ballistics and explosives
- Recycling sorting
- Rail inspection
- Microscopy



## Future Proof Interface

The CoaXPress® interface standard is one of the most powerful transmission technologies in image processing today. Its features speak for themselves:

- Data rates up to 6.25 Gbit/s over a single coax cable
- Up to 25 Gbit/s using four cables
- Data, communication, control and power over one cable
- Real time behavior through fixed, low latency
- Precise triggering capability, even in multi-camera applications
- Flexible and reliable through use of standard coax cables
- Plug and play

### Frame rates

Resolution	Frame rate
1,696 x 1,710 px	566 fps
1,280 x 1,024 px	1,200 fps
640 x 480 px	4,620 fps
320 x 240 px	14,900 fps
128 x 128 px	42,450 fps
	max. 225,000 fps

### Smart Features

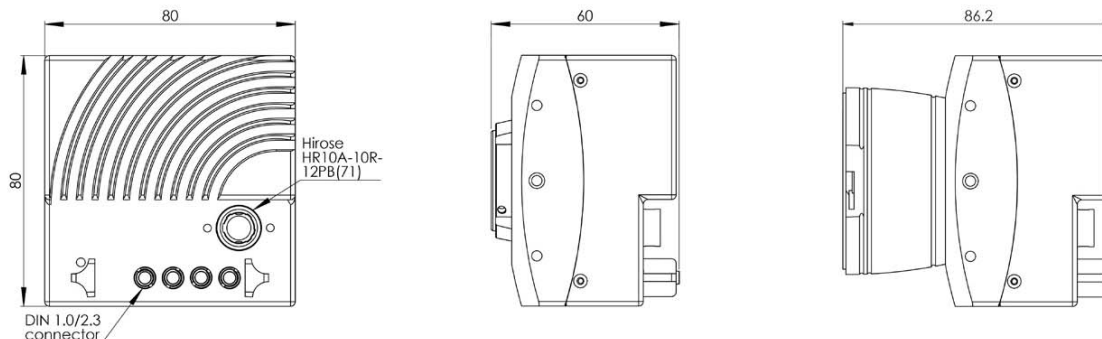
- Arbitrary ROI
- FPN Correction
- Trigger Modes
- High Dynamic Range
- PoCXP
- GPIO

## Technical Data

(More detailed specifications are available on request)

	EoSens® 3CXP (monochrome / color)
Resolution	3 Mpix
Active pixels	1,696 x 1,710 px
Interface	CoaXPress® @ 4 x 6.25 Gbit/s
Frame rate (8 bit)	566 fps
Sensor	LUPA3000
Sensor type	CMOS global shutter
Sensor format	1"
Active sensor area (H x V)	13.57 x 13.68 mm
Pixel size	8 x 8 µm
Sensitivity (mono)	3.81 V/lux*s @ 550nm
Color depth	8 bit
Dynamic range	80 dB
Shutter time (steps)	1 µs
Shutter time range	1 µs – 1 s
Max. Trigger frequency	300 kHz
Max. Jitter	±4 ns
Connector options	DIN 1.0 / DIN 2.3
Mount options	C-Mount / F-Mount
Dimensions (W x H x L w/o mount)	80 x 80 x 48 mm
Weight (C-Mount)	450 g
Power consumption	7 W
Power supply	12 – 24 V DC
Camera body temperature	+5 °C ... +50 °C
Shock / Vibration proof	70 g / 7 grms
Conformity	CE / RoHS / GenICam / CoaXPress®
EMVA1288 reports	✓

## Camera Body Dimensions



## MIKROTRON GmbH

MIKROTRON GmbH provides a full range of high-speed imaging solutions for challenging applications in industry, engineering, science and sports. The company's extreme slow-motion recording enables customers to optimize manufacturing processes, improve product design, revolutionize quality management and analyze motion.

**Germany**  
Landshuter Str. 20-22  
D-85716 Unterschleißheim  
Phone: +49(0)89-726342-00  
E-Mail: info@mikrotron.de  
Web: www.mikrotron.de

**North America**  
14032 Hermosillo Way  
US-Poway, CA 92064  
Phone: +1-858-774-1176  
E-Mail: steve.ferrell@mikrotron.de  
Web: www.mikrotron.de



**MIKROTRON**  
High-Speed Vision Solutions